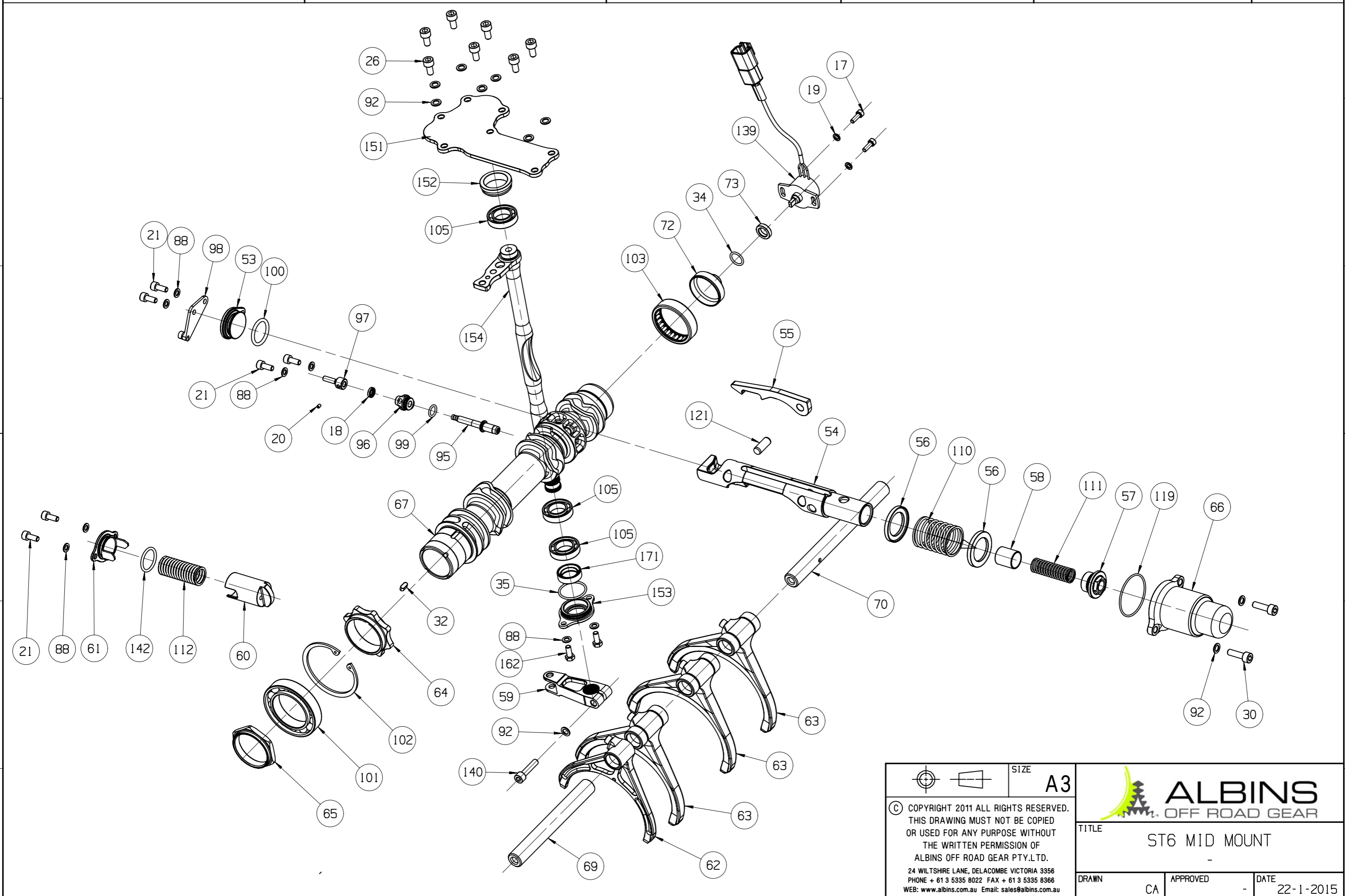
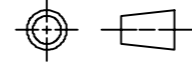

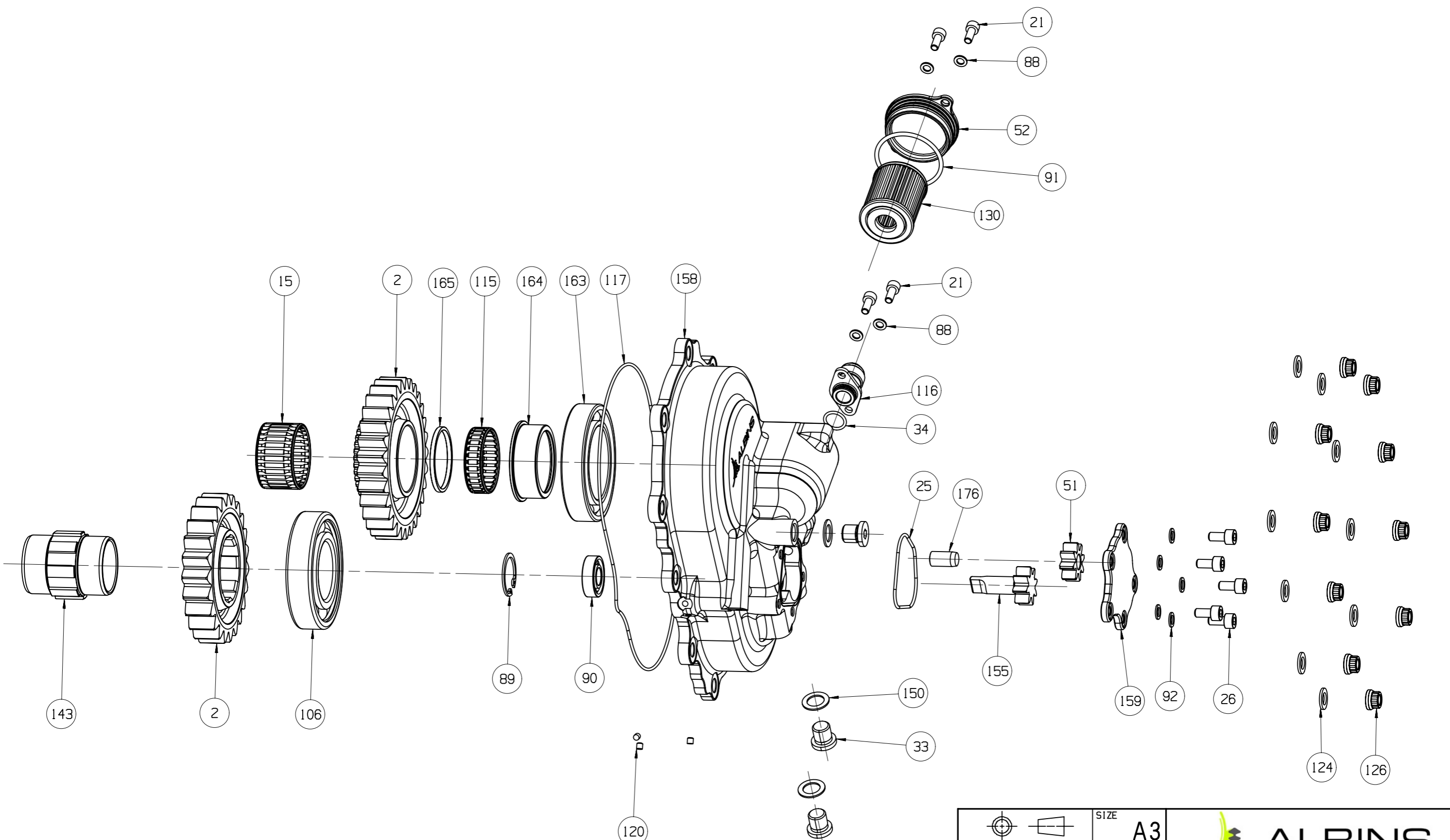


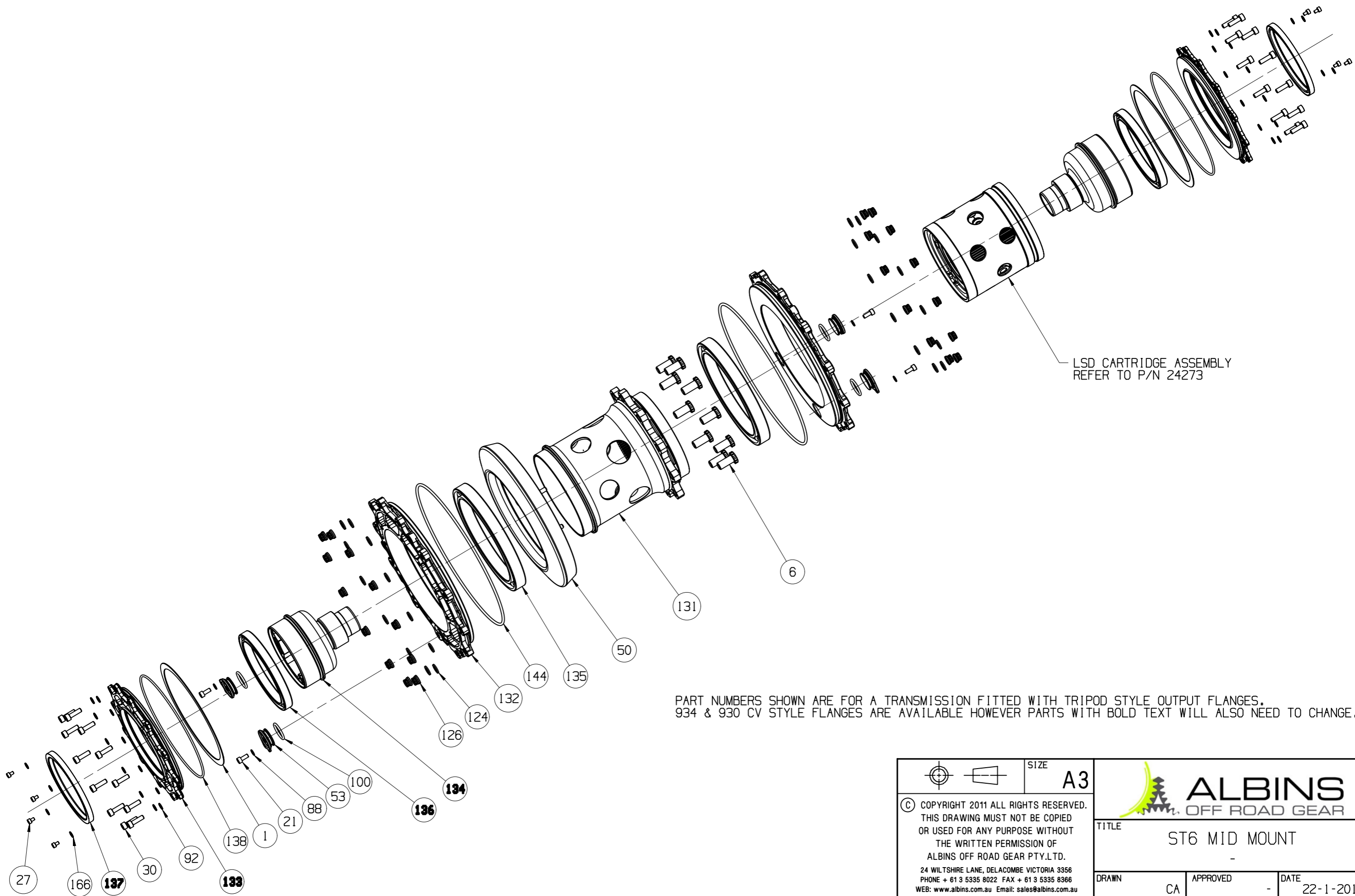
	SIZE A3	
© COPYRIGHT 2011 ALL RIGHTS RESERVED. THIS DRAWING MUST NOT BE COPIED OR USED FOR ANY PURPOSE WITHOUT THE WRITTEN PERMISSION OF ALBINS OFF ROAD GEAR PTY.LTD. 24 WILTSHIRE LANE, DELACOMBE VICTORIA 3356 PHONE + 61 3 5395 8022 FAX + 61 3 5395 8366 WEB: www.albins.com.au Email: sales@albins.com.au		
TITLE ST6 MID MOUNT		
DRAWN CA	APPROVED	DATE 22-1-2015



		SIZE	A3
© COPYRIGHT 2011 ALL RIGHTS RESERVED. THIS DRAWING MUST NOT BE COPIED OR USED FOR ANY PURPOSE WITHOUT THE WRITTEN PERMISSION OF ALBINS OFF ROAD GEAR PTY.LTD. 24 WILTSHIRE LANE, DELACOMBE VICTORIA 3356 PHONE + 61 3 5395 8022 FAX + 61 3 5395 8366 WEB: www.albins.com.au Email: sales@albins.com.au			
		TITLE	
		ST6 MID MOUNT	
DRAWN		APPROVED	DATE
CA		-	22-1-2015

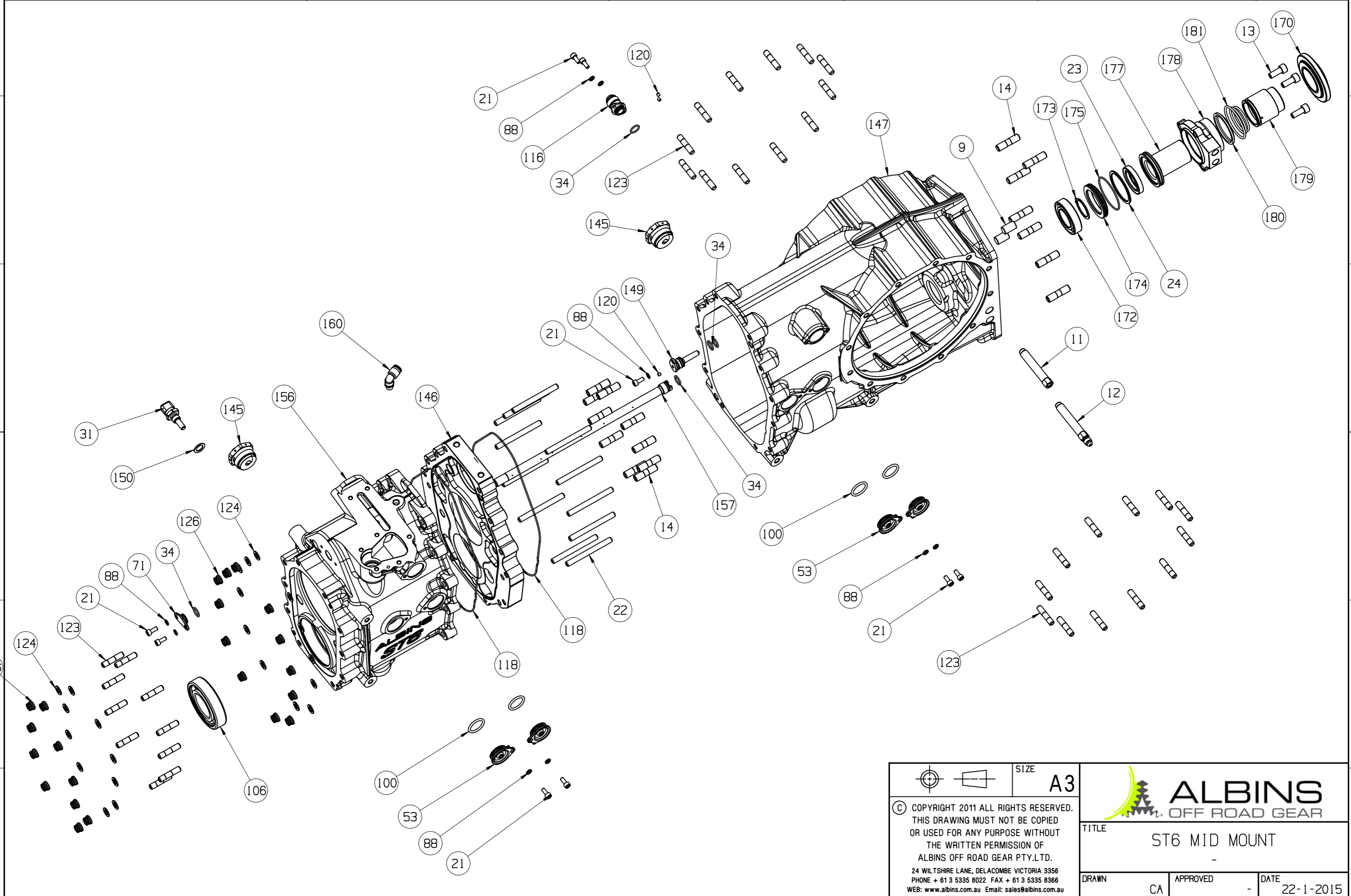


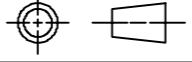
	SIZE	A3
<small>© COPYRIGHT 2011 ALL RIGHTS RESERVED. THIS DRAWING MUST NOT BE COPIED OR USED FOR ANY PURPOSE WITHOUT THE WRITTEN PERMISSION OF ALBINS OFF ROAD GEAR PTY.LTD. 24 WILTSHIRE LANE, DELACOMBE VICTORIA 3356 PHONE + 61 3 5395 8022 FAX + 61 3 5395 8366 WEB: www.albins.com.au Email: sales@albins.com.au</small>		
TITLE ST6 MID MOUNT -		
DRAWN	APPROVED	DATE
CA	-	22-1-2015



PART NUMBERS SHOWN ARE FOR A TRANSMISSION FITTED WITH TRIPOD STYLE OUTPUT FLANGES.
934 & 930 CV STYLE FLANGES ARE AVAILABLE HOWEVER PARTS WITH BOLD TEXT WILL ALSO NEED TO CHANGE.

	SIZE	A3
	© COPYRIGHT 2011 ALL RIGHTS RESERVED. THIS DRAWING MUST NOT BE COPIED OR USED FOR ANY PURPOSE WITHOUT THE WRITTEN PERMISSION OF ALBINS OFF ROAD GEAR PTY.LTD. 24 WILTSHIRE LANE, DELACOMBE VICTORIA 3356 PHONE + 61 3 5395 8022 FAX + 61 3 5395 8366 WEB: www.albins.com.au Email: sales@albins.com.au	
TITLE ST6 MID MOUNT		
DRAWN CA	APPROVED -	DATE 22-1-2015




 SIZE
A3
 © COPYRIGHT 2011 ALL RIGHTS RESERVED.
 THIS DRAWING MUST NOT BE COPIED
 OR USED FOR ANY PURPOSE WITHOUT
 THE WRITTEN PERMISSION OF
 ALBINS OFF ROAD GEAR PTY.LTD.
 24 WILTSHIRE LANE, DELACOMBE VICTORIA 3356
 PHONE + 61 3 5395 8022 FAX + 61 3 5395 8366
 WEB: www.albins.com.au Email: sales@albins.com.au

		
TITLE ST6 MID MOUNT -		
DRAWN CA	APPROVED -	DATE 22-1-2015

1	BACKLASH SHIM	-	2
2	DROP GEAR	-	2
3	PINION SHIM	-	2
4	M10 FLAT WASHER	00111	7
5	M10 HEX NUT	00112	7
6	7/16" UNF BOLT	00113	10
7	SPIDER GEAR	00121	4
8	CIRCLIP 39 X 15	00132	2
9	DOWELL - 12mm X 20 LONG	00137	2
10	NUT-8mm	00157	2
11	CLUTCH FITTING	00165	1
12	CLUTCH FITTING	00166	1
13	M8 X 20 - SHCS	00240	3
14	STUD M10 x 38MM	00241	17
15	NEDDLE ROLLER BEARING	02518	1
16	M6 x 30 SHCS	03187	6
17	M4 x 15 SHCS	03364	2
18	SEAL	03547	1
19	M4 FLAT WASHER	03549	2
20	M3 GRUBSCREW	03780	1
21	M5 x 12 SHCS	03791	23
22	M8 x 80 STUD	03798	12
23	SEAL - DOUBLE LIP OIL	04234	1
24	SEAL RETAINER	04242	1
25	O-RING	24734	1
26	M6 x 12 SHCS	06784	12
27	M4 x 6 SHCS	07381	8
28	CIRCLIP	10706	1
29	NEDDLE ROLLER BEARING	11235	6
30	M6 x 20 SHCS	12042	26
31	TEMP SENDER	13097	1
32	KEY	13133	1
33	PLUG M12 X 15	13213	3
34	O-RING	24611	7
35	O-RING BS-022	13606	1
36	(14):33 IDLER GEAR	22811	1
37	(17):31 IDLER GEAR	22812	1
38	(19):28 IDLER GEAR	22813	1
39	(21):26 IDLER GEAR	22814	1
40	(23):24 IDLER GEAR	22815	1
41	17:(31) SPLINED GEAR	22802	1
42	19:(28) SPLINED GEAR	22803	1
43	21:(26) SPLINED GEAR	22804	1
44	23:(24) SPLINED GEAR	22805	1
45	ST6 SLIDER HUB	24279	3
46	GEAR SPACER	22807	2
47	REVERSE IDLER GEAR	13733	1
ITEM	DESCRIPTION	PART NO	QTY

PARTS LIST

48	REV SLIDER HUB	24932	1
49	PINION SHAFT - SET P/N 13735	13736	1
50	CROWN WHEEL - SET P/N 13735	13737	1
51	OIL PUMP GEAR	13741	1
52	OIL FILTER CAP	13745	1
53	INSPECTION PLUGS	13747	9
54	SHIFT SHUTTLE	13757	1
55	SHIFT PAWL	13758	1
56	SPRING CUP	13761	2
57	SPRING CAP	13762	1
58	SPRING PISTON	13763	1
59	SELECTOR LEVER ARM	13765	1
60	DETENT PLUNGER	13766	1
61	DETENT COVER	13767	1
62	SELECTOR FORK	13771	1
63	SELECTOR FORK	22798	3
64	DETENT RING	13774	1
65	NUT	13775	1
66	SHIFT SPRING COVER	13776	1
67	SELECTOR BARREL	22795	1
68	AVLE PRE-LOAD PLUNGER	13785	2
69	SELECTOR SHAFT - REAR	22800	1
70	SELECTOR SHAFT - FRONT	22799	1
71	SELECTOR SHAFT PLUG	13793	1
72	POTENTIOMETER DRIVE PLUG	13796	1
73	POTENTIOMETER LOCATING SLEEVE	13797	1
74	SPACER	13799	1
75	SPACER	13800	1
76	BEARING SPACER	13801	1
77	BEARING INNER RACE (INCLUDES BRG)	13802	1
78	BEARING THRUST WASHER	13803	1
79	BEARING INNER RACE (INCLUDES BRG)	13804	1
80	BEARING THRUST WASHER	13805	1
81	22:(24) CONSTANT GEAR	22816	1
82	(22):24 CONSTANT GEAR	22806	1
83	ST6 SLIDER	24278	3
84	BEARING RETAINER PLATE	13817	1
85	LAY SHAFT	22801	1
86	REVERSE INT IDLER	13819	1
87	REVERSE SPLINED GEAR	13820	1
88	M5 SCHNORR WASHER	13825	25
89	CIRCLIP INTERNAL 28MM	13971	1
90	BEARING	13972	1
91	O-RING	24729	1
92	M6 SCHNORR WASHER	13976	45
93	BEARING	13983	1
94	BEARING	13984	1
ITEM	DESCRIPTION	PART NO	QTY

PARTS LIST

95	REVERSE LOCKOUT PLUNGER	14509	1
96	REVERSE CABLE CAP	14510	1
97	REVERSE CABLE END	14511	1
98	REVERSE CABLE BRACKET	14512	1
99	O-RING	24610	1
100	O-RING	24609	9
101	BEARING	14879	1
102	CIRCLIP	14880	1
103	NEDDLE ROLLER BEARING	14881	1
104	BEARING	14882	1
105	BEARING	14883	3
106	BEARING	14885	3
107	BEARING	14887	1
108	NEDDLE ROLLER BEARING	14888	1
109	BEARING ROLLER	14902	1
110	SPRING	17864	1
111	SPRING	19007	1
112	SPRING	19008	1
113	BEARING	19009	1
114	CIRCLIP	19674	1
115	NEDDLE ROLLER BEARING	19835	1
116	-8 FITTING	20148	2
117	O-RING	20152	1
118	O-RING	20153	2
119	O-RING	24725	1
120	SEALING PLUG - 4MM	20158	8
121	M8 x 20 DOWEL	20164	1
122	SPACER	20166	1
123	M8 x 37 STUD	20264	34
124	M8 FLAT WASHER	20449	46
125	M10 FLAT WASHER	20450	10
126	M8 NUT - 12 POINT	20451	46
127	M10 NUT - 12 POINT	20452	10
128	CIRCLIP	20488	1
129	CIRCLIP	20489	1
130	OIL FILTER ELEMENT	20707	1
131	DIFF CARRIER	20734	1
132	SIDE PLATE	20735	2
133	SEAL HOUSING	20736	2
134	DRIVE FLANGE	20737	2
135	BRG - 140 x 175 x 18	20738	2
136	BRG - 105 x 130 x 13	20739	2
137	SEAL - DOUBLE LIP OIL - 105X120X8	20740	2
138	O-RING - BS165 - 6 1/2"	20754	2
139	GEAR POSITION SENSOR	20850	1
140	1/4" UNF SHCS	20881	1
141	CIRCLIP	20917	1
ITEM	DESCRIPTION	PART NO	QTY

PARTS LIST

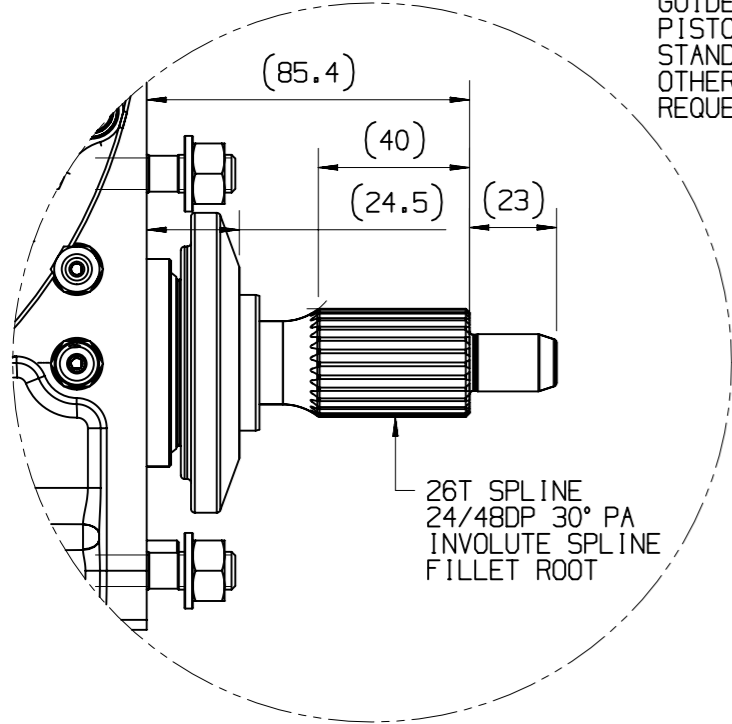
142	O-RING	24726	1
143	SHAFT	20923	1
144	O-RING	20996	2
145	MAGNETIC DRAIN PLUG	21004	2
146	BULKHEAD PLATE	21037	1
147	DIFFERENTIAL HOUSING - ST6M	21456	1
148	INPUT SHAFT	21093	1
149	OIL SQUIRTER - PINION	21094	1
150	COPPER WASHER	21215	4
151	SHIFT BLANKING PLATE	21216	1
152	SPACER	21217	1
153	BEARING RETAINER	21218	1
154	GEAR LEVER SHAFT	21219	1
155	OIL PUMP GEAR	21229	1
156	GEAR HOUSING	22066	1
157	OIL TUBE	21243	1
158	COVER	21247	1
159	OIL PUMP COVER	21259	1
160	FITTING	21898	1
161	PINION SHAFT NUT - LH	21962	1
162	HEX HEAD BOLT - M5 x 12	21982	2
163	BEARING	22697	1
164	BEARING SLEEVE	22698	1
165	SPACER	23100	1
166	5/32 x 3/8 FLAT WASHER	23267	8
167	RETAINING RING	23376	1
168	O-RING	24735	1
169	REV SLIDER	24930	1
170	THRUST RACE - CONVEX FACE	AGB170	1
171	SEAL - 16 X 24 X 7	AGB192	1
172	BEARING	AGB10.4233	1
173	CIRCLIP	AGB10.4235	1
174	SEAL RETAINER	AGB10.4236	1
175	O-RING	AGB10.4241	1
176	DOWEL 10 X 20	DOW.5211	1
177	SERIES 2 SLAVE CYLINDER CENTRE SUPPORT	SC.S2.BI.5073	1
178	SERIES 2 SLAVE CYLINDER HOUSING	SC.S2.HOU.5072	1
179	SERIES 2 SLAVE CYLINDER PISTON	SC.S2.P.5084	1
180	PISTON WIPER	WS.5075	1
181	SLAVE CYLINDER O-RING KIT	00243	1
ITEM	DESCRIPTION	PART NO	QTY

PARTS LIST

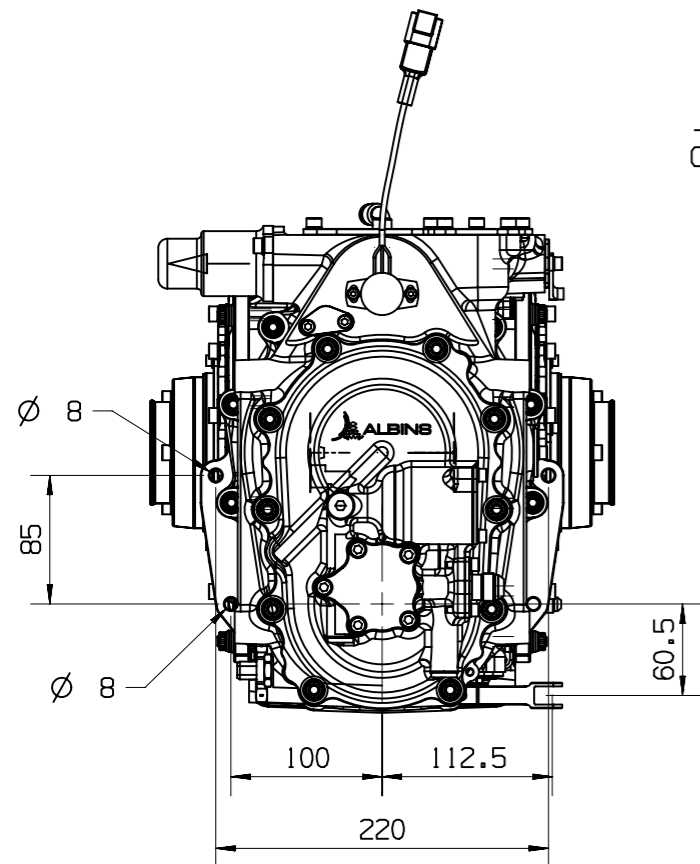
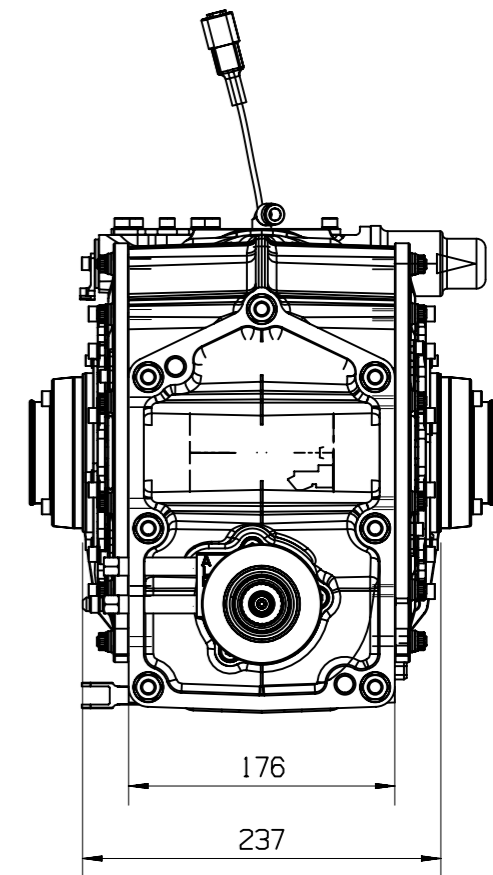
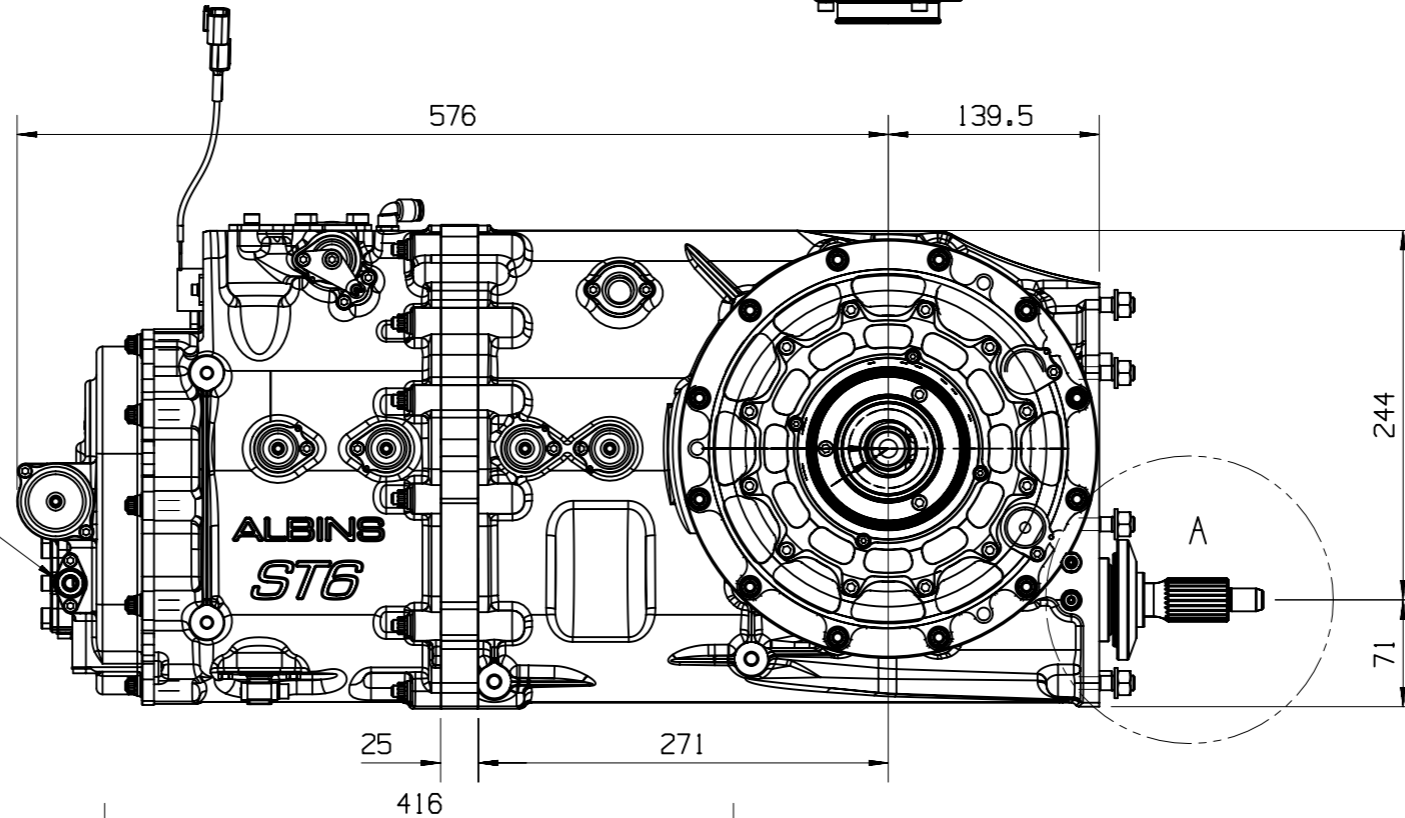
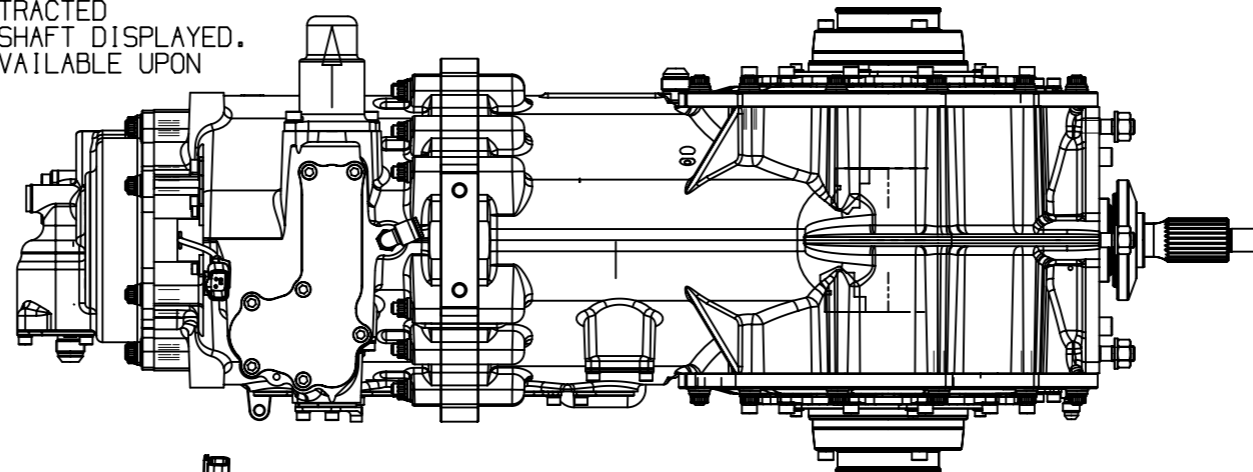


DETAIL A
SCALE 1:2

NOTE: REFERENCE LENGTHS AS
GUIDE ONLY.
PISTON FULLY RETRACTED
STANDARD INPUT SHAFT DISPLAYED.
OTHER OPTIONS AVAILABLE UPON
REQUEST



26T SPLINE
24/48DP 30° PA
INVOLUTE SPLINE
FILLET ROOT



-8 PRESSURE
OIL COOLER

ALBINS
ST6

-8 RETURN FROM
OIL COOLER

	SIZE A3	<p>ALBINS OFF ROAD GEAR</p>
<p>© COPYRIGHT 2011 ALL RIGHTS RESERVED. THIS DRAWING MUST NOT BE COPIED OR USED FOR ANY PURPOSE WITHOUT THE WRITTEN PERMISSION OF ALBINS OFF ROAD GEAR PTY.LTD. 24 WILTSHIRE LANE, DELACOMBE VICTORIA 3356 PHONE + 61 3 5395 8022 FAX + 61 3 5395 8366 WEB: www.albins.com.au Email: sales@albins.com.au</p>		
TITLE ST6 MID MOUNT		
DRAWN CA	APPROVED	DATE - 22-1-2015